

# MAXI CLAMPS

- *Rugged Heavy Duty Wide Band Clamp in Galvanized or Stainless for use in Industrial, Automotive, Food and Agricultural applications*
- *Solid steel inserts for added strength*
- *Beveled edges protect hose from damage*



SIZE RANGE (mm)	Band Size (mm) gauge x width	Clamp Style	Suggested Install Torque		Minimum Breaking Torque		Clamp Style	Suggested Install Torque		Minimum Breaking Torque		Clamp Style	Suggested Install Torque		Minimum Breaking Torque	
			(Nm)	(Ft.Lbs.)	(Nm)	(Ft.Lbs.)		(Nm)	(Ft.Lbs.)	(Nm)	(Ft.Lbs.)		(Nm)	(Ft.Lbs.)	(Nm)	(Ft.Lbs.)
17 - 19	0.6 x 18	MKL	4.5	3.32	6	4.42	---	---	---	---	---	---	---	---	---	---
20 - 22	0.6 x 18	MKL	4.5	3.32	6	4.42	---	---	---	---	---	---	---	---	---	---
23 - 25	0.6 x 18	MKL	4.5	3.32	6	4.42	M6 / M6S	4.5	3.32	6	4.42	---	---	---	---	---
26 - 28	0.6 x 18	MKL	4.5	3.32	6	4.42	M6 / M6S	4.5	3.32	6	4.42	---	---	---	---	---
29 - 31	0.8 x 20/0.6 x 20	MKL	9	6.64	12	8.85	M6 / M6S	9	6.64	12	8.85	---	---	---	---	---
30 - 33	0.8 x 20/0.6 x 20	MKL	9	6.64	12	8.85	M6 / M6S	9	6.64	12	8.85	---	---	---	---	---
32 - 35	0.8 x 20/0.6 x 20	MKL	9	6.64	12	8.85	M6 / M6S	9	6.64	12	8.85	---	---	---	---	---
36 - 39	0.8 x 20/0.6 x 20	MKL	9	6.64	12	8.85	M6 / M6S	9	6.64	12	8.85	---	---	---	---	---
40 - 43	0.8 x 20/0.6 x 20	MKL	9	6.64	12	8.85	M6 / M6S	9	6.64	12	8.85	---	---	---	---	---
44 - 47	1.2 x 22/0.8 x 22	MKL	18	13.28	24	17.7	M8 / M8S	18	13.28	24	17.7	---	---	---	---	---
48 - 51	1.2 x 22/0.8 x 22	MKL	18	13.28	24	17.7	M8 / M8S	18	13.28	24	17.7	---	---	---	---	---
52 - 55	1.2 x 22/0.8 x 22	MKL	18	13.28	24	17.7	M8 / M8S	18	13.28	24	17.7	---	---	---	---	---
56 - 59	1.2 x 22/0.8 x 22	MKL	18	13.28	24	17.7	M8 / M8S	18	13.28	24	17.7	---	---	---	---	---
60 - 63	1.2 x 22/0.8 x 22	MKL	18	13.28	24	17.7	M8 / M8S	18	13.28	24	17.7	---	---	---	---	---
64 - 67	1.5 x 22/0.8 x 22	MKL	18	13.28	24	17.7	M8 / M8S	18	13.28	24	17.7	---	---	---	---	---
68 - 73	1.5 x 2.4/0.8 x 24	MKL	18	13.28	24	17.7	M8 / M8S	18	13.28	24	17.7	---	---	---	---	---
74 - 79	1.5 x 2.4/0.8 x 24	MKL	18	13.28	24	17.7	M8 / M8S	18	13.28	24	17.7	---	---	---	---	---
80 - 85	1.5 x 2.4/0.8 x 24	MKL	18	13.28	24	17.7	M8 / M8S	18	13.28	24	17.7	---	---	---	---	---
86 - 91	1.5 x 2.4/0.8 x 24	MKL	18	13.28	24	17.7	M8 / M8S	18	13.28	24	17.7	M10DC	30	22.13	40	29.5
92 - 97	1.5 x 2.4/0.8 x 24	MKL	18	13.28	24	17.7	M8 / M8S	18	13.28	24	17.7	M10DC	30	22.13	40	29.5
98 - 103	1.5 x 2.4/0.8 x 24	MKL	18	13.28	24	17.7	M8 / M8S	18	13.28	24	17.7	M10DC	30	22.13	40	29.5
104 - 112	1.5 x 2.4/0.8 x 24	MKL	18	13.28	24	17.7	M8 / M8S	18	13.28	24	17.7	M10DC	30	22.13	40	29.5
113 - 121	1.5 x 2.4/0.8 x 24	MKL	18	13.28	24	17.7	M8 / M8S	18	13.28	24	17.7	M10DC	30	22.13	40	29.5
122 - 130	1.5 x 2.4/0.8 x 24	MKL	18	13.28	24	17.7	M8 / M8S	18	13.28	24	17.7	M10DC	30	22.13	40	29.5
131 - 139	1.7 x 26/1.0 x 26	MKL	29	21.39	38.7	28.54	M10/M10S	29	21.39	38.7	28.54	M10DC	30	22.13	40	29.5
140 - 148	1.7 x 26	MKL	29	21.39	38.7	28.54	M10	29	21.39	38.7	28.54	M10DC	30	22.13	40	29.5
149 - 161	1.7 x 26	MKL	29	21.39	38.7	28.54	M10	29	21.39	38.7	28.54	M10DC	30	22.13	40	29.5
162 - 174	1.7 x 26/1.0 x 26	MKL	29	21.39	38.7	28.54	M10/M10S	29	21.39	38.7	28.54	M10DC	30	22.13	40	29.5
175 - 187	1.7 x 26	MKL	29	21.39	38.7	28.54	M10	29	21.39	38.7	28.54	M10DC	30	22.13	40	29.5
188 - 200	1.7 x 26	MKL	29	21.39	38.7	28.54	M10	29	21.39	38.7	28.54	M10DC	30	22.13	40	29.5
201 - 213	1.7 x 26	MKL	29	21.39	38.7	28.54	M10	29	21.39	38.7	28.54	---	---	---	---	---
214 - 226	1.7 x 26	MKL	29	21.39	38.7	28.54	M10	29	21.39	38.7	28.54	---	---	---	---	---
227 - 239	1.7 x 26	MKL	29	21.39	38.7	28.54	M10	29	21.39	38.7	28.54	---	---	---	---	---
240 - 252	1.7 x 26	MKL	29	21.39	38.7	28.54	M10	29	21.39	38.7	28.54	---	---	---	---	---
200 - 220	1.7 x 30	---	---	---	---	---	---	---	---	---	---	M10DC	30	22.13	40	29.5
208 - 220	1.0 x 26	---	---	---	---	---	M10S	29	21.39	38.7	28.54	---	---	---	---	---
240 - 260	1.7 x 30	---	---	---	---	---	---	---	---	---	---	M10DC	30	22.13	40	29.5
260 - 280	1.7 x 30	---	---	---	---	---	---	---	---	---	---	M10DC	30	22.13	40	29.5
280 - 300	1.7 x 30	---	---	---	---	---	---	---	---	---	---	M10DC	30	22.13	40	29.5
300 - 325	1.7 x 30	---	---	---	---	---	---	---	---	---	---	M10DC	30	22.13	40	29.5
325 - 350	1.7 x 30	---	---	---	---	---	---	---	---	---	---	M10DC	30	22.13	40	29.5
350 - 375	1.7 x 30	---	---	---	---	---	---	---	---	---	---	M10DC	30	22.13	40	29.5
375 - 400	1.7 x 30	---	---	---	---	---	---	---	---	---	---	M10DC	30	22.13	40	29.5
425 - 450	1.7 x 30	---	---	---	---	---	---	---	---	---	---	M10DC	30	22.13	40	29.5
450 - 475	1.7 x 30	---	---	---	---	---	---	---	---	---	---	M10DC	30	22.13	40	29.5

TORONTO - MONTREAL - EDMONTON - HOUSTON

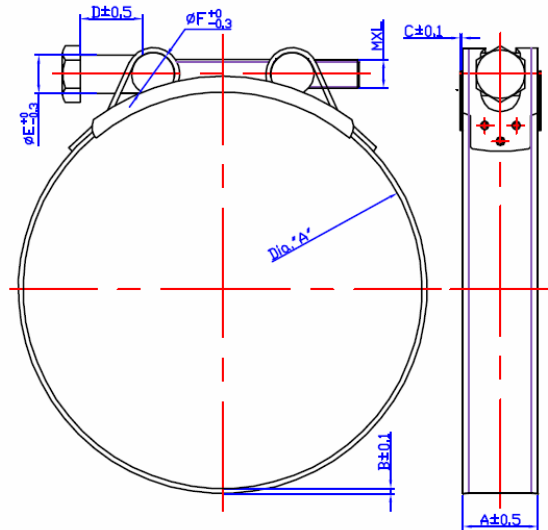


**BUCHANAN RUBBER LTD**

*Quality Product, Competitive Prices, Outstanding Service*

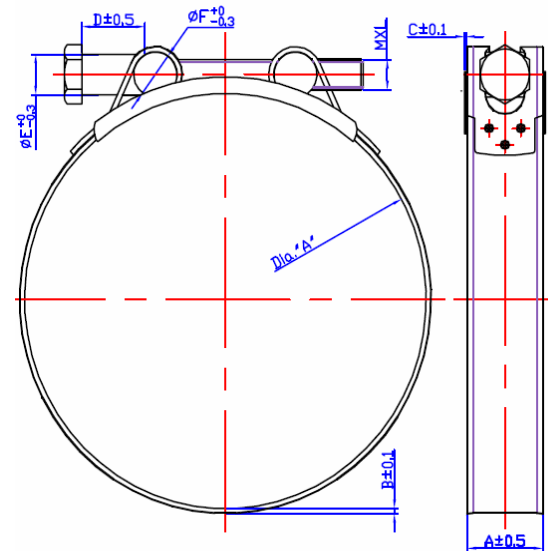
size	A	B	C	D	E	F	BOLT(MXL)
17-19	18mm	0.6	0.6	5	8	12	M5*40
20-22							M5*40
23-25							M5*40
26-28							M5*40
29-31							M6*50
30-33	M6*50						
32-35	M6*50						
36-39	M6*50						
40-43	20mm	0.8		9	9	14	M6*50
44-47							M8*60
48-51			M8*60				
52-55			M8*60				
56-59			M8*60				
60-63	M8*60						
64-67	22mm	1	11	11.6	15	M8*70	
68-73						M8*70	
74-79						M8*70	
80-85						M8*70	
86-91						M8*70	
92-97	24mm	1	20	13.5	15	M8*70	
98-103						M8*70	
104-112						M8*80	
113-121						M8*80	
122-130						M8*80	
131-139	26mm	1	25	13.5	15	M10*90	
140-148						M10*90	
149-161						M10*110	
162-174						M10*110	
175-187						M10*110	
188-200	M10*110						
201-213	M10*110						
214-226	M10*110						
227-239	M10*110						

## Zinc Plated Steel M6/M8/M10



size	A	B	C	D	E	F	BOLT(MXL)
17-19	18mm	0.6	0.6	5	8	12	M5*40
20-22							M5*40
23-25							M5*40
26-28							M5*40
29-31							M6*50
30-33	M6*50						
32-35	M6*50						
36-39	M6*50						
40-43	20mm	0.8		9	9	14	M6*50
44-47							M8*60
48-51			M8*60				
52-55			M8*60				
56-59			M8*60				
60-63	M8*60						
64-67	22mm	1	11	11.6	15	M8*70	
68-73						M8*70	
74-79						M8*70	
80-85						M8*70	
86-91						M8*70	
92-97	24mm	1	20	13.5	15	M8*70	
98-103						M8*70	
104-112						M8*80	
113-121						M8*80	
122-130						M8*80	
131-139	26mm	1	25	13.5	15	M10*90	
140-148						M10*90	
149-161						M10*110	
162-174						M10*110	
175-187						M10*110	
188-200	M10*110						
201-213	M10*110						
214-226	M10*110						
227-239	M10*110						

## Stainless Steel M6S/M8S/M10S



Band/Bridge/Trunnion/Sleeve – AISI 301SS  
Bolt – A2-70

[www.buchananrubber.com](http://www.buchananrubber.com)

**TORONTO - MONTREAL - EDMONTON - HOUSTON**

50 Fasken  
Dr,  
Toronto, ON  
M9W1K5

9555 Henri  
Bourassa W,  
St Laurent, QC  
H4S1S7

9547-12Ave  
SW,  
Edmonton, AB  
T6X0C3

5731 Harvey  
Wilson Dr,  
Houston, TX  
77020